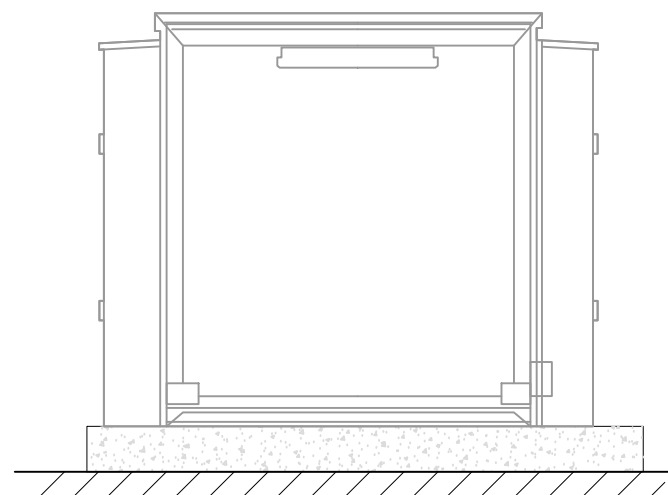
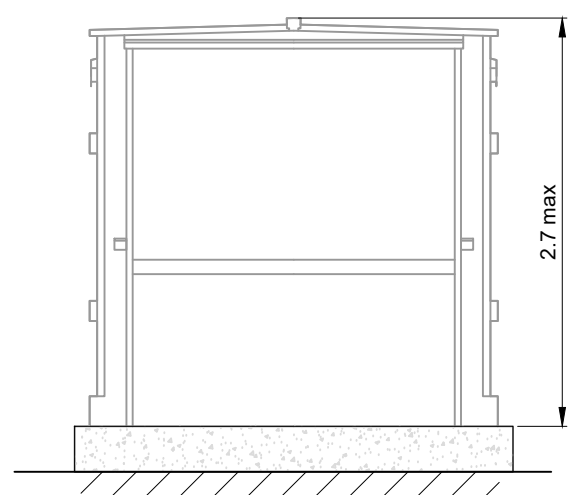


PLAN
SCALE 1:50

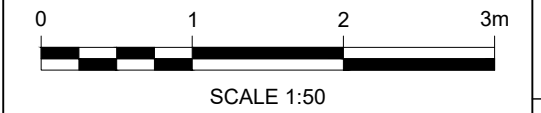


ELEVATION A
SCALE 1:50



ELEVATION B
SCALE 1:50

- NOTES:
1. ALL DIMENSIONS ARE IN METRES UNLESS OTHERWISE STATED.
 2. DETAILS SHOWN ARE TYPICAL AND ARE SUBJECT TO DETAILED DESIGN.
 3. ALL DIMENSIONS ARE APPROXIMATE AND SUBJECT TO DETAILED DESIGN.



1	BM	PP	PH	2024-12-05	FIRST ISSUE
ISSUE	DRAWN	CHKD	APPD	DATE	REVISION NOTES
PURPOSE				COORDINATES	
PLANNING				N/A	
SCALE			DATUM		
1:50			@A3		N/A
LAYOUT DRAWING			T-LAYOUT NO		
N/A			N/A		

PROJECT TITLE
SHANERAGH

DRAWING TITLE
PRE INSERTION RESISTOR

RES DRAWING NUMBER
05577-RES-SUB-DR-PT-003

REV
1

THIS DRAWING IS THE PROPERTY OF RENEWABLE ENERGY SYSTEMS LIMITED AND NO REPRODUCTION MAY BE MADE IN WHOLE OR IN PART WITHOUT PERMISSION



BEAUFORT COURT,
EGG FARM LANE,
KINGS LANGLEY,
HERTS WD4 8LR, UK
TEL +44 (0) 1923 299200
WWW.RES-GROUP.COM